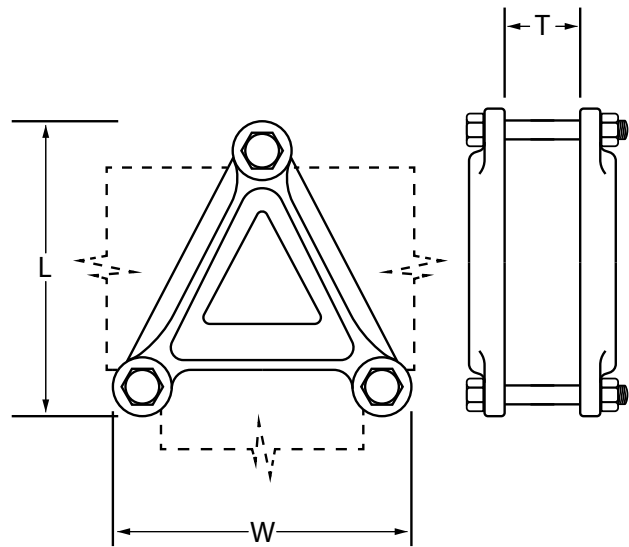
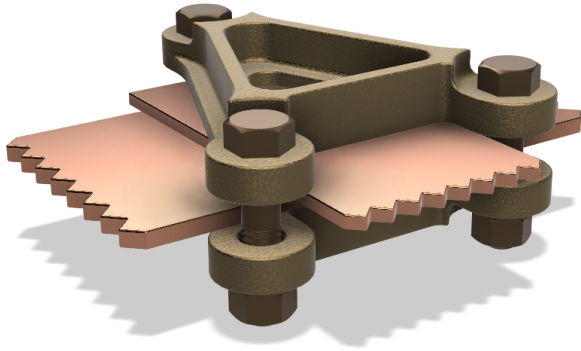


Heavy "Curveback" Clamp

VTT 3 Bolt Type



Catalog numbers listed cover clamps for copper to copper joints. Bronze clamps and bronze hardware (VTT-3xx) are recommended for AC and DC applications with copper bus bars. For economy in DC applications, galvanized ductile iron clamps and galvanized hardware (VTT-1xx) are available. Other options include: zinc plated ductile iron clamps and zinc plated hardware for indoor service, tin plated bronze clamps or cast aluminum clamps for aluminum bus connections. Hardware options include stainless steel, zinc plated steel or aluminum. Specify "T" dimension or thickness and number of bus bars so proper length bolts can be provided.

SIZE OF BARS		D.C SERVICE BOTH HALVES HOT GALV. MAL IRON HOT GALV. BOLTS	AC. SERVICE 1/2 HOT GALV. MAL IRON 1/2 BRONZE HOT GALV. BOLTS	BOTH HALVES BRONZE SILICON BRONZE BOLTS	DIMENSION IN INCHES		
RUN	TAP	CAT. NO	CAT. NO	CAT. NO	L	W	BOLT DIA
1	1	VTT-100	VTT-200	VTT-300	2 1/8	2 1/8	5/16
1 1/2	1	VTT-110	VTT-210	VTT-310	2 5/8	2 1/8	5/16
1 1/2	1 1/2	VTT-111	VTT-211	VTT-311	2 13/16	2 13/16	3/8
2	1	VTT-120	VTT-220	VTT-320	3 1/8	2 1/8	5/16
2	1 1/2	VTT-121	VTT-221	VTT-321	3 5/16	2 13/16	3/8
2	2	VTT-122	VTT-222	VTT-322	3 5/16	3 5/16	3/8
2 1/2	1	VTT-130	VTT-230	VTT-330	3 5/8	2 1/8	5/16
2 1/2	1 1/2	VTT-131	VTT-231	VTT-331	3 13/16	2 13/16	3/8
2 1/2	2	VTT-132	VTT-232	VTT-332	3 13/16	3 5/16	3/8
2 1/2	2 1/2	VTT-133	VTT-233	VTT-333	3 7/8	3 7/8	3/8
3	1	VTT-140	VTT-240	VTT-340	4 1/8	2 1/8	5/16
3	1 1/2	VTT-141	VTT-241	VTT-341	4 5/16	2 13/16	3/8
3	2	VTT-142	VTT-242	VTT-342	4 5/16	3 5/16	3/8
3	2 1/2	VTT-143	VTT-243	VTT-343	4 3/8	3 7/8	3/8
3	3	VTT-144	VTT-244	VTT-344	4 3/8	4 3/8	3/8

(continued)

For cross reference or other information, please contact us.
deltastarcc.com



**DELTA STAR
CONNECTOR COMPANY**



Heavy “Curveback” Clamp

VTT 3 Bolt Type

(continued)

SIZE OF BARS		D.C SERVICE BOTH HALVES HOT GALV. MAL IRON HOT GALV. BOLTS	A.C. SERVICE 1/2 HOT GALV. MAL IRON 1/2 BRONZE HOT GALV. BOLTS	BOTH HALVES BRONZE SILICON BRONZE BOLTS	DIMENSION IN INCHES		
3 1/2	1	VTT-150	VTT-250	VTT-350	4 13/16	2 5/16	3/8
3 1/2	1 1/2	VTT-151	VTT-251	VTT-351	4 13/16	2 13/16	3/8
3 1/2	2	VTT-152	VTT-252	VTT-352	4 7/8	3 3/8	3/8
3 1/2	2 1/2	VTT-153	VTT-253	VTT-353	4 7/8	3 7/8	3/8
3 1/2	3	VTT-154	VTT-254	VTT-354	4 7/8	4 3/8	3/8
3 1/2	3 1/2	VTT-155	VTT-255	VTT-355	4 7/8	4 7/8	3/8
4	1	VTT-160	VTT-260	VTT-360	5 5/16	2 5/16	3/8
4	1 1/2	VTT-161	VTT-261	VTT-361	5 5/16	2 13/16	3/8
4	2	VTT-162	VTT-262	VTT-362	5 3/8	3 3/8	3/8
4	2 1/2	VTT-163	VTT-263	VTT-363	5 3/8	3 7/8	3/8
4	3	VTT-164	VTT-264	VTT-364	5 3/8	4 3/8	3/8
4	3 1/2	VTT-165	VTT-265	VTT-365	5 3/4	5 1/4	1/2
4	4	VTT-166	VTT-266	VTT-366	5 3/4	5 3/4	1/2
5	1	VTT-170	VTT-270	VTT-370	6 3/8	2 3/8	3/8
5	1 1/2	VTT-171	VTT-271	VTT-371	6 3/8	2 7/8	3/8
5	2	VTT-172	VTT-272	VTT-372	6 3/8	3 3/8	3/8
5	2 1/2	VTT-173	VTT-273	VTT-373	6 3/8	3 7/8	3/8
5	3	VTT-174	VTT-274	VTT-374	6 3/4	4 3/4	1/2
5	3 1/2	VTT-175	VTT-275	VTT-375	6 3/4	5 1/4	1/2
5	4	VTT-176	VTT-276	VTT-376	6 3/4	5 3/4	1/2
5	5	VTT-177	VTT-277	VTT-377	6 3/4	6 3/4	1/2
6	1	VTT-180	VTT-280	VTT-380	7 3/8	2 3/8	3/8
6	1 1/2	VTT-181	VTT-281	VTT-381	7 3/8	2 7/8	3/8
6	2	VTT-182	VTT-282	VTT-382	7 3/8	3 3/8	3/8
6	2 1/2	VTT-183	VTT-283	VTT-383	7 3/8	3 7/8	3/8
6	3	VTT-184	VTT-284	VTT-384	7 3/4	4 3/4	1/2
6	3 1/2	VTT-185	VTT-285	VTT-385	7 3/4	5 1/4	1/2
6	4	VTT-186	VTT-286	VTT-386	7 3/4	5 3/4	1/2
6	5	VTT-187	VTT-287	VTT-387	7 3/4	6 3/4	1/2
6	6	VTT-188	VTT-288	VTT-388	7 3/4	7 3/4	1/2

For cross reference or other
information, please contact us.
deltastarcc.com



**DELTA STAR
CONNECTOR COMPANY**

