

# T-Connectors

## UB Cable Run - Bar Tap

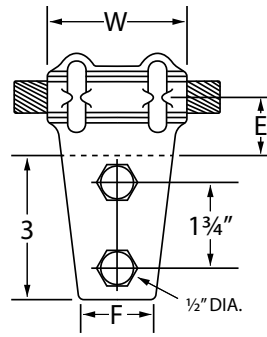
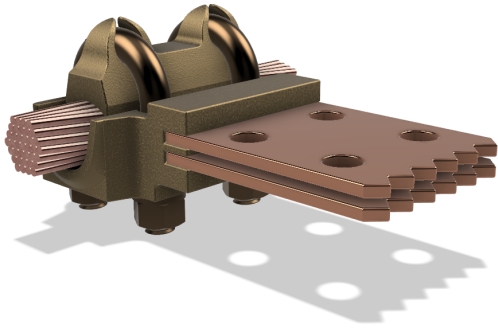


Fig. 1

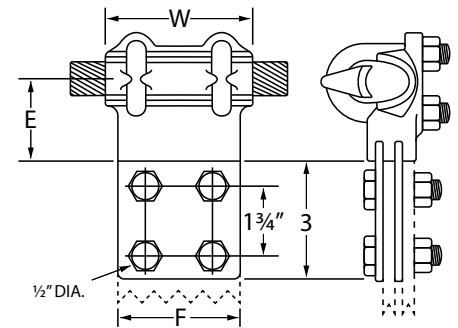


Fig. 2

Combination high compression type and flat bar connector for making a bar tap from a stranded cable main. The wide range of cable sizes accommodated by the high compression type connection reduces to a minimum the number of different connectors required on an installation. The lug ends are listed for use with 14 inch flat bars. If bars of other thicknesses are to be used, specify on order.

CABLE RANGE		NUMBER OF BARS	WIDTH OF BARS	CATALOG NUMBER	FIGURE NUMBER	DIMENSIONS IN INCHES			BOLT DIAMETER	
MIN	MAX					E	F	W	RUN	TAP
6	2/0	1	2	UB-80	1	1 1/16	1 1/2	2	3/8	1/2
1	4/0	1	2	UB-90	1	1 3/32	1 1/2	2 3/8	3/8	1/2
1/0	300	1	2	UB-100	1	1 3/16	1 1/2	2 3/4	3/8	1/2
1/0	300	1	3	UB-101	2	1 3/16	3	2 3/4	3/8	1/2
1/0	300	1	4	UB-102	2	1 3/16	4	2 3/4	3/8	1/2
300	500	1	2	UB-110	1	1 3/8	2	3	3/8	1/2
300	500	1	3	UB-111	2	1 3/8	3	3	3/8	1/2
300	500	1	4	UB-112	2	2	4	3	3/8	1/2
300	500	2	2	UB-113	1	2	2	3	3/8	1/2
300	500	2	3	UB-114	2	2	3	3	3/8	1/2
500	800	1	2	UB-120	1	1 9/16	2	3 3/4	1/2	1/2
500	800	1	3	UB-121	2	1 9/16	3	3 3/4	1/2	1/2
500	800	1	4	UB-122	2	2 3/16	4	3 3/4	1/2	1/2
500	800	2	2	UB-123	1	2 3/16	2	3 3/4	1/2	1/2
500	800	2	3	UB-124	2	2 3/16	3	3 3/4	1/2	1/2
750	1000	1	2	UB-130	1	2 3/8	2	4	1/2	1/2
750	1000	1	3	UB-131	2	2 3/8	3	4	1/2	1/2
750	1000	1	4	UB-132	2	2 3/8	4	4	1/2	1/2
750	1000	2	2	UB-133	1	2 3/8	2	4	1/2	1/2
750	1000	2	3	UB-134	2	2 3/8	3	4	1/2	1/2
750	1000	2	4	UB-135	2	2 3/8	4	4	1/2	1/2
1000	1500	1	3	UB-140	2	2	3	4 1/2	1/2	1/2
1000	1500	1	4	UB-141	2	2 1/2	4	4 1/2	1/2	1/2
1000	1500	2	3	UB-142	2	2 1/2	3	4 1/2	1/2	1/2
1000	1500	2	4	UB-143	2	2 1/2	4	4 1/2	1/2	1/2
1000	1500	3	3	UB-144	2	2 1/2	3	4 1/2	1/2	1/2
1500	2000	1	4	UB-150	2	2 9/16	4	4 1/2	1/2	1/2
1500	2000	2	3	UB-151	2	2 9/16	3	4 1/2	1/2	1/2
1500	2000	2	4	UB-152	2	2 9/16	4	4 1/2	1/2	1/2
1500	2000	3	3	UB-153	2	2 9/16	3	4 1/2	1/2	1/2

For cross reference or other information, please contact us.  
[deltastarcc.com](http://deltastarcc.com)



**DELTA STAR**  
**CONNECTOR COMPANY**

