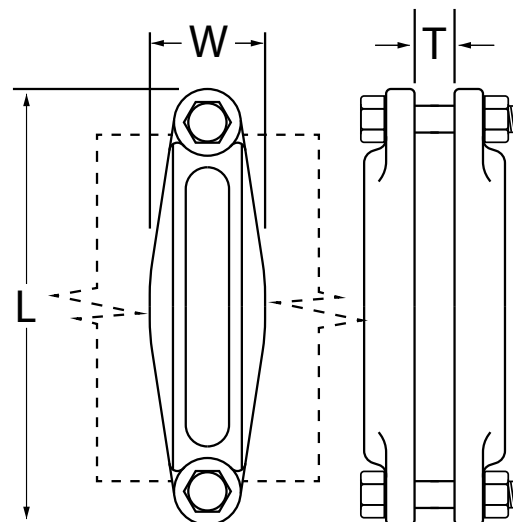
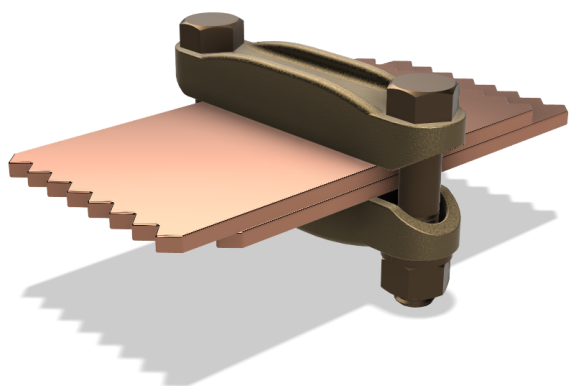


# “Curveback” Spacer Clamp

## ITU 2 Bolt Type



Catalog numbers listed cover clamps for copper to copper joints. Bronze clamps and bronze hardware (ITU-3xx) are recommended for AC and DC applications with copper bus bars. For economy in DC Applications, galvanized ductile iron clamps and galvanized hardware (ITU-1xx) are available. Other options include: zinc plated ductile iron clamps and zinc plated hardware for indoor service, tin plated bronze clamps or cast aluminum clamps for aluminum bus connections. Hardware options include stainless steel, zinc plated steel or aluminum. Specify "T" dimension or thickness and number of bus bars so proper length bolts can be provided.

WIDTH OF BARS	D.C SERVICE BOTH HALVES HOT GALV. MAL IRON HOT GALV. BOLTS	A.C. SERVICE 1/2 HOT GALV. MAL IRON 1/2 BRONZE HOT GALV. BOLTS	BOTH HALVES BRONZE SILICON BRONZE BOLTS	DIMENSION IN INCHES		BOLT DIA
	CAT.NO	CAT. NO	CAT. NO	L	W	
1	ITU-100	ITU-200	ITU-300	2 5/16	1 1/2	3/8
1 1/2	ITU-101	ITU-201	ITU-301	2 13/16	1 5/8	3/8
2	ITU-102	ITU-202	ITU-302	3 5/16	1 5/8	3/8
2 1/2	ITU-103	ITU-203	ITU-303	3 13/16	1 5/8	3/8
3	ITU-104	ITU-204	ITU-304	4 5/16	2	3/8
3 1/2	ITU-105	ITU-205	ITU-305	5 3/16	2	1/2
4	ITU-106	ITU-206	ITU-306	5 11/16	2	1/2
5	ITU-107	ITU-207	ITU-307	6 11/16	2	1/2
6	ITU-108	ITU-208	ITU-308	7 11/16	2	1/2
8	ITU-109	ITU-209	ITU-309	9 11/16	2	1/2
10	ITU-110	ITU-210	ITU-310	11 11/16	1 1/2	5/8

For cross reference or other information, please contact us.  
[deltastarcc.com](http://deltastarcc.com)



**DELTA STAR  
CONNECTOR COMPANY**

