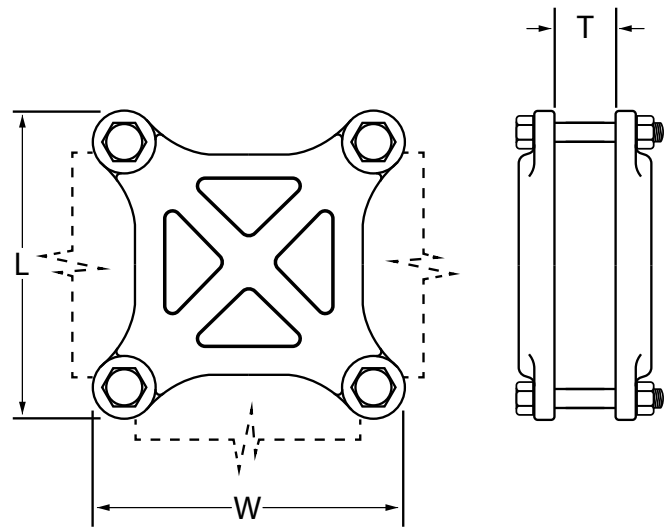
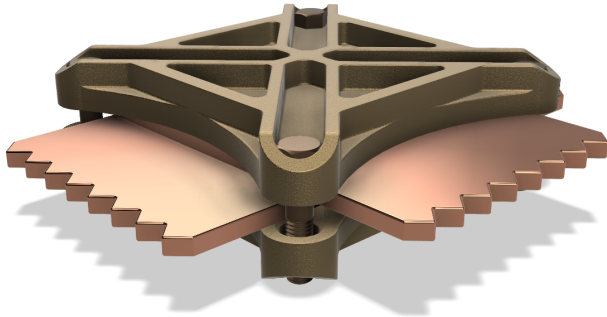


# Extra Heavy "Curveback" Clamp

## HTU 4 Bolt Type



Catalog numbers listed cover clamps for copper to copper joints. Bronze clamps and bronze hardware (HTU-3xx) are recommended for AC and DC applications with copper bus bars. For economy in DC applications, galvanized ductile iron clamps and galvanized hardware (HTU-1xx) are available. Other options include: zinc plated ductile iron clamps and zinc plated hardware for indoor service, tin plated bronze clamps or cast aluminum clamps for aluminum bus connections. Hardware options include stainless steel, zinc plated steel or aluminum. Specify "T" dimension or thickness and number of bus bars so proper length bolts can be provided.

SIZE OF BARS		D.C SERVICE BOTH HALVES HOT GALV. MAL IRON HOT GALV. BOLTS	A.C. SERVICE 1/2 HOT GALV. MAL IRON 1/2 BRONZE HOT GALV. BOLTS	BOTH HALVES BRONZE SILICON BRONZE BOLTS	DIMENSION IN INCHES		
RUN	TAP	CAT.NO	CAT. NO	CAT. NO	L	W	BOLT DIA.
1 1/2	1 1/2	HTU-100	HTU-200	HTU-300	3 1/16	3 1/16	3/8
2	1 1/2	HTU-110	HTU-210	HTU-310	3 9/16	3 1/16	3/8
2	2	HTU-111	HTU-211	HTU-311	3 9/16	3 9/16	3/8
2 1/2	1 1/2	HTU-120	HTU-220	HTU-320	4 1/16	3 1/16	3/8
2 1/2	2	HTU-121	HTU-221	HTU-321	4 1/16	3 9/16	3/8
2 1/2	2 1/2	HTU-122	HTU-222	HTU-322	4 1/16	4 1/16	3/8
3	1 1/2	HTU-130	HTU-230	HTU-330	4 11/16	3 3/16	1/2
3	2	HTU-131	HTU-231	HTU-331	4 11/16	3 11/16	1/2
3	2 1/2	HTU-132	HTU-232	HTU-332	4 11/16	4 3/16	1/2
3	3	HTU-133	HTU-233	HTU-333	4 11/16	4 11/16	1/2
3 1/2	2 1/2	HTU-140	HTU-240	HTU-340	5 3/16	3 3/16	1/2
3 1/2	2	HTU-141	HTU-241	HTU-341	5 3/16	3 11/16	1/2
3 1/2	2 1/2	HTU-142	HTU-242	HTU-342	5 3/16	4 3/16	1/2
3 1/2	3	HTU-143	HTU-243	HTU-343	5 3/16	4 11/16	1/2
3 1/2	3 1/2	HTU-144	HTU-244	HTU-344	5 3/16	5 3/16	1/2

(continued)

For cross reference or other information, please contact us.  
[deltastarcc.com](http://deltastarcc.com)



**DELTA STAR  
CONNECTOR COMPANY**



# Extra Heavy "Curveback" Clamp

## HTU 4 Bolt Type

(continued)

SIZE OF BARS		D.C SERVICE BOTH HALVES HOT GALV. MAL IRON HOT GALV. BOLTS	A.C. SERVICE 1/2 HOT GALV. MAL IRON 1/2 BRONZE HOT GALV. BOLTS	BOTH HALVES BRONZE SILICON BRONZE BOLTS	DIMENSION IN INCHES		
4	1 1/2	HTU-150	HTU-250	HTU-350	5 11/16	3 3/16	1/2
4	2	HTU-151	HTU-251	HTU-351	5 11/16	3 11/16	1/2
4	2 1/2	HTU-152	HTU-252	HTU-352	5 11/16	4 3/16	1/2
4	3	HTU-153	HTU-253	HTU-353	5 11/16	4 11/16	1/2
4	3 1/2	HTU-154	HTU-254	HTU-354	5 11/16	5 3/16	1/2
4	4	HTU-155	HTU-255	HTU-355	6 1/16	6 1/16	5/8
5	2	HTU-160	HTU-260	HTU-360	6 11/16	3 11/16	1/2
5	2 1/2	HTU-161	HTU-261	HTU-361	6 11/16	4 3/16	1/2
5	3	HTU-162	HTU-262	HTU-362	6 11/16	4 11/16	1/2
5	3 1/2	HTU-163	HTU-263	HTU-363	6 11/16	5 3/16	5/8
5	4	HTU-164	HTU-264	HTU-364	7 1/16	6 1/16	5/8
5	5	HTU-165	HTU-265	HTU-365	7 1/16	7 1/16	5/8
6	2	HTU-170	HTU-270	HTU-370	7 11/16	3 11/16	1/2
6	2 1/2	HTU-171	HTU-271	HTU-371	7 11/16	4 3/16	1/2
6	3	HTU-172	HTU-272	HTU-372	7 11/16	4 11/16	1/2
6	3 1/2	HTU-173	HTU-273	HTU-373	7 11/16	5 3/16	1/2
6	4	HTU-174	HTU-274	HTU-374	8 1/16	6 1/16	5/8
6	5	HTU-175	HTU-275	HTU-375	8 1/16	7 1/16	5/8
6	6	HTU-176	HTU-276	HTU-376	8 1/16	8 1/16	5/8
8	3	HTU-180	HTU-280	HTU-380	10 1/16	5 1/16	5/8
8	3 1/2	HTU-181	HTU-281	HTU-381	10 1/16	5 9/16	5/8
8	4	HTU-182	HTU-282	HTU-382	10 1/16	6 1/16	5/8
8	5	HTU-183	HTU-283	HTU-383	10 1/16	7 1/16	5/8
8	6	HTU-184	HTU-284	HTU-384	10 1/16	8 1/16	5/8
8	8	HTU-185	HTU-285	HTU-385	10 1/16	10 1/16	5/8
10	3	HTU-190	HTU-290	HTU-390	12 1/16	5 1/16	5/8
10	3 1/2	HTU-191	HTU-291	HTU-391	12 1/16	5 9/16	5/8
10	4	HTU-192	HTU-292	HTU-392	12 1/16	6 1/16	5/8
10	5	HTU-193	HTU-293	HTU-393	12 1/16	7 1/16	5/8
10	6	HTU-194	HTU-294	HTU-394	12 1/16	8 1/16	5/8
10	8	HTU-195	HTU-295	HTU-395	12 1/16	10 1/16	5/8
10	10	HTU-196	HTU-296	HTU-396	12 7/16	12 7/12	3/4

For cross reference or other  
information, please contact us.  
[deltastarcc.com](http://deltastarcc.com)



**DELTA STAR  
CONNECTOR COMPANY**

