

Heavy "Curveback" Clamp

HTT 4 Bolt Type

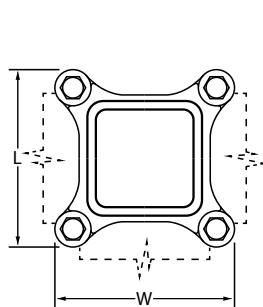
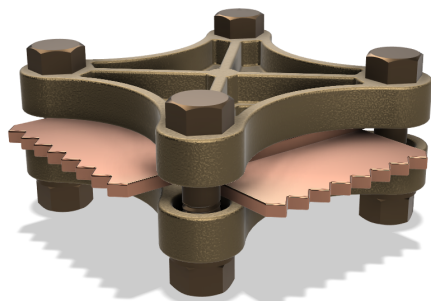


Fig. 1

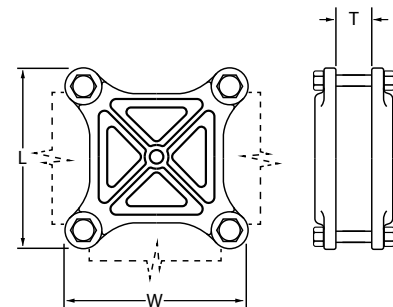


Fig. 2

Catalog numbers listed cover clamps for copper to copper joints. Bronze clamps and bronze hardware (HTT-3xx) are recommended for AC and DC applications with copper bus bars. For economy in DC applications, galvanized ductile iron clamps and galvanized hardware (HTT-1xx) are available. Other options include: zinc plated ductile iron clamps and zinc plated hardware for indoor service, tin plated bronze clamps or cast aluminum clamps for aluminum bus connections. Hardware options include stainless steel, zinc plated steel or aluminum. Specify "T" dimension or thickness and number of bus bars so proper length bolts can be provided.

SIZE OF BARS		D.C SERVICE BOTH HALVES HOT GALV. MAL IRON HOT GALV. BOLTS	AC. SERVICE 1/2 HOT GALV. MAL IRON 1/2 BRONZE HOT GALV. BOLTS	BOTH HALVES BRONZE SILICON BRONZE BOLTS	FIGURE NUMBER	DIMENSION IN INCHES		
RUN	TAP	CAT.NO	CAT. NO	CAT. NO		L	W	BOLT DIA
1	1	HTT-100	HTT-200	HTT-300	1	2 5/16	2 5/16	3/8
1 1/2	1	HTT-110	HTT-210	HTT-310	1	2 13/16	2 5/16	3/8
1 1/2	1 1/2	HTT-111	HTT-211	HTT-311	1	2 13/16	2 13/16	3/8
2	1	HTT-120	HTT-220	HTT-320	1	3 5/16	2 5/16	3/8
2	1 1/2	HTT-121	HTT-221	HTT-321	1	3 5/16	2 13/16	3/8
2	2	HTT-122	HTT-222	HTT-322	1	3 5/16	3 5/16	3/8
2 1/2	1	HTT-130	HTT-230	HTT-330	1	3 13/16	2 5/16	3/8
2 1/2	1 1/2	HTT-131	HTT-231	HTT-331	1	3 13/16	2 13/16	3/8
2 1/2	2	HTT-132	HTT-232	HTT-332	1	3 13/16	3 5/16	3/8
2 1/2	2 1/2	HTT-133	HTT-233	HTT-333	2	3 13/16	3 13/16	3/8
3	1	HTT-140	HTT-240	HTT-340	1	4 5/16	2 5/16	3/8
3	1 1/2	HTT-141	HTT-241	HTT-341	1	4 5/16	2 13/16	3/8
3	2	HTT-142	HTT-242	HTT-342	1	4 5/16	3 5/16	3/8
3	2 1/2	HTT-143	HTT-243	HTT-343	2	4 5/16	3 13/16	3/8
3	3	HTT-144	HTT-244	HTT-344	2	4 5/16	4 5/16	3/8
3 1/2	1	HTT-150	HTT-250	HTT-350	1	4 13/16	2 5/16	3/8
3 1/2	1 1/2	HTT-151	HTT-251	HTT-351	1	4 13/16	2 13/16	3/8

(continued)

For cross reference or other information, please contact us.
deltastarcc.com



**DELTA STAR
CONNECTOR COMPANY**



Heavy “Curveback” Clamp

HTT 4 Bolt Type

(continued)

SIZE OF BARS		D.C SERVICE BOTH HALVES HOT GALV. MAL IRON HOT GALV. BOLTS	A.C. SERVICE 1/2 HOT GALV. MAL IRON 1/2 BRONZE HOT GALV. BOLTS	BOTH HALVES BRONZE SILICON BRONZE BOLTS	FIGURE NUMBER	DIMENSION IN INCHES		
RUN	TAP	CAT.NO	CAT. NO	CAT. NO		L	W	BOLT DIA
3 1/2	2	HTT-152	HTT-252	HTT-352	1	4 13/16	3 5/16	3/8
3 1/2	2 1/2	HTT-153	HTT-253	HTT-353	2	4 13/16	3 13/16	3/8
3 1/2	3	HTT-154	HTT-254	HTT-354	2	4 13/16	4 5/16	3/8
3 1/2	3 1/2	HTT-155	HTT-255	HTT-355	2	4 13/16	4 13/16	3/8
4	1	HTT-160	HTT-260	HTT-360	1	5 5/16	2 5/16	3/8
4	1 1/2	HTT-161	HTT-261	HTT-361	1	5 5/16	2 13/16	3/8
4	2	HTT-162	HTT-262	HTT-362	1	5 5/16	3 5/16	3/8
4	2 1/2	HTT-163	HTT-263	HTT-363	2	5 5/16	3 13/16	3/8
4	3	HTT-164	HTT-264	HTT-364	2	5 5/16	4 5/16	3/8
4	3 1/2	HTT-165	HTT-265	HTT-365	2	5 5/16	4 13/16	3/8
4	4	HTT-166	HTT-266	HTT-366	2	5 11/16	5 11/16	1/2
5	1	HTT-170	HTT-270	HTT-370	1	6 5/16	2 5/16	3/8
5	1 1/2	HTT-171	HTT-271	HTT-371	1	6 5/16	2 13/16	3/8
5	2	HTT-172	HTT-272	HTT-372	1	6 5/16	3 5/16	3/8
5	2 1/2	HTT-173	HTT-273	HTT-373	2	6 5/16	3 13/16	3/8
5	3	HTT-174	HTT-274	HTT-374	2	6 5/16	4 5/16	3/8
5	3 1/2	HTT-175	HTT-275	HTT-375	2	6 5/16	4 13/16	3/8
5	4	HTT-176	HTT-276	HTT-376	2	6 11/16	5 11/16	1/2
5	5	HTT-177	HTT-277	HTT-377	2	6 11/16	6 11/16	1/2
6	1	HTT-180	HTT-280	HTT-380	1	7 5/16	2 5/16	3/8
6	1 1/2	HTT-181	HTT-281	HTT-381	1	7 5/16	2 13/16	3/8
6	2	HTT-182	HTT-282	HTT-382	1	7 5/16	3 5/16	3/8
6	2 1/2	HTT-183	HTT-283	HTT-383	2	7 5/16	3 13/16	3/8
6	3	HTT-184	HTT-284	HTT-384	2	7 5/16	4 5/16	3/8
6	3 1/2	HTT-185	HTT-285	HTT-385	2	7 3/8	4 7/8	3/8
6	4	HTT-186	HTT-286	HTT-386	2	7 11/16	5 11/16	1/2
6	5	HTT-187	HTT-287	HTT-387	2	7 11/16	6 11/16	1/2
6	6	HTT-188	HTT-288	HTT-388	2	7 11/16	7 11/16	1/2

For cross reference or other
information, please contact us.
deltastarcc.com



**DELTA STAR
CONNECTOR COMPANY**

